



Features

- High Resolution 12" Digital TFT LCD Monitor
- Metal Case Housing
- Free Input Voltage (DC 12V ~ 30V)
- Suitable for desk-mount, flush-mount or wall-mount
- PAL/NTSC compatible
- 4 Camera inputs: 4-pin mini DIN or BNC connector
- 5 Trigger inputs
- 1 A/V input (RCA)
- 1 A/V output (RCA)
- DVI input
- RGB input (VGA)
- Various Display Modes: Single / Split / Triple / Quad
- On Screen Display (OSD)
- Built-in Speakers
- User-friendly Backlight Dimmer control
- Illuminated control buttons



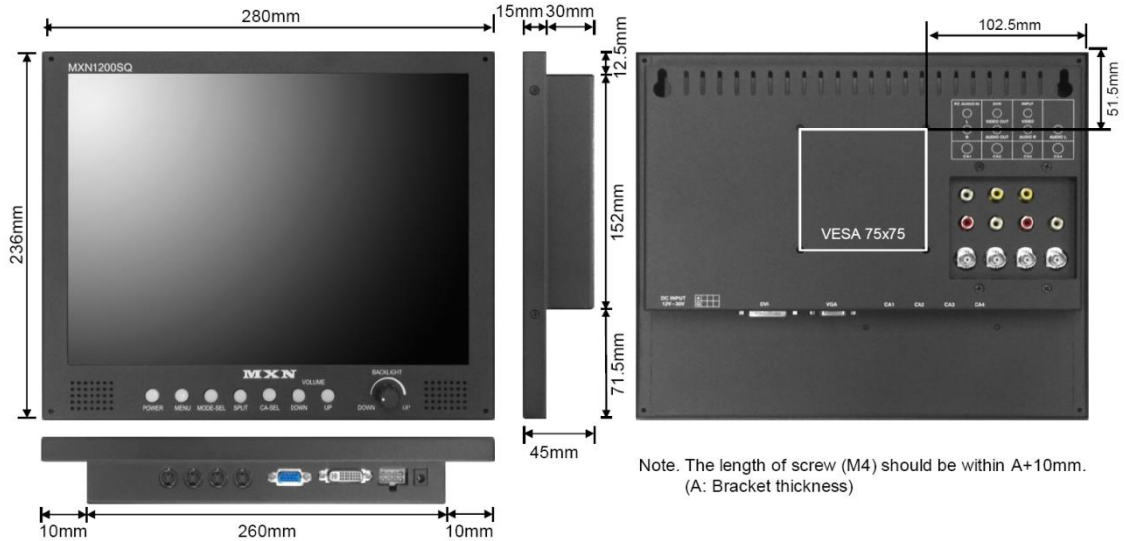
◆ Specifications

Screen Size	12 inch / 30.7 cm
Aspect Ratio	4:3
Resolution	Digital TFT LCD 1024 x 768
Viewing Angle	Left: 80°, Right: 80°, Up: 70°, Down: 70°
Video System	PAL / NTSC
Brightness	500 cd/m ²
Contrast Ratio	700:1
Backlight Dimmer	Adjustable from 100% ~ 0% (by manual turning knob)
Power Input	DC 12V ~ 30V Input
Power Consumption	Max. 20watt
Speaker	8ohm/2watt (L/R)
Connector	- 4 Camera Inputs: 4-pin mini DIN or BNC connector - 1 A/V Input: RCA - DVI Input - RGB Input - 1 A/V Output: RCA (DVR)
Operating Temperature	0 ~ 60°C
Dimensions Housing	280(W) x 236(H) x 45(D)mm
Weight	1.8 kg
Accessories	- Power cable (8-pin Molex connector) - Cable reinforcement bracket - AC/DC power adapter - AC power cord

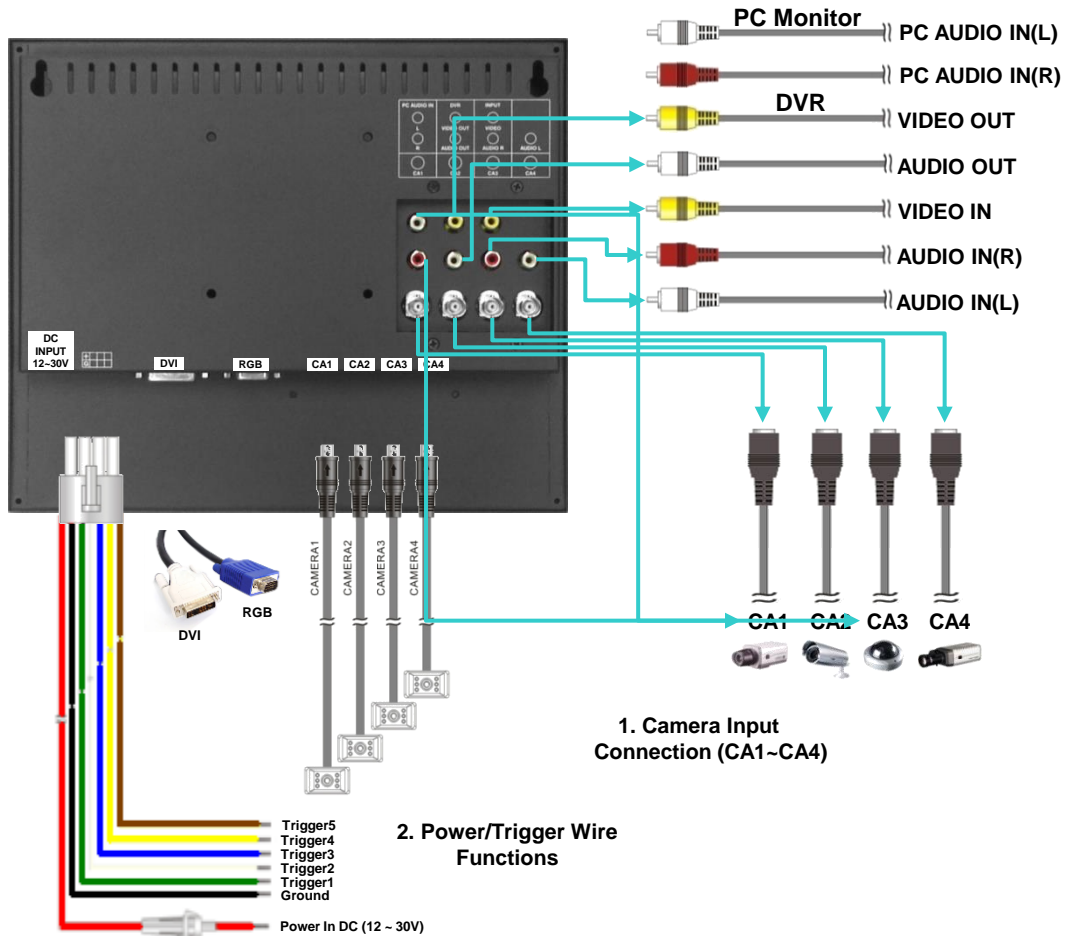


Dimensions

Email: info@capriel.eu - Website: www.capriel.nl - www.mxn.eu



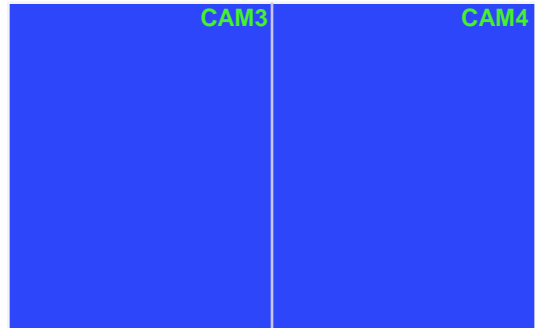
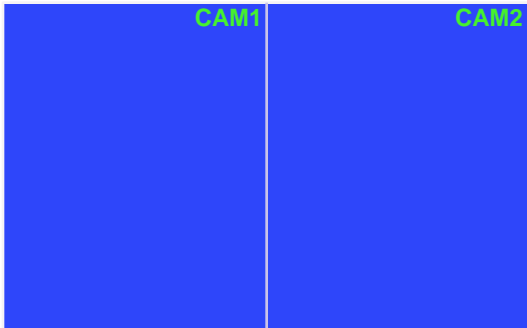
Connection



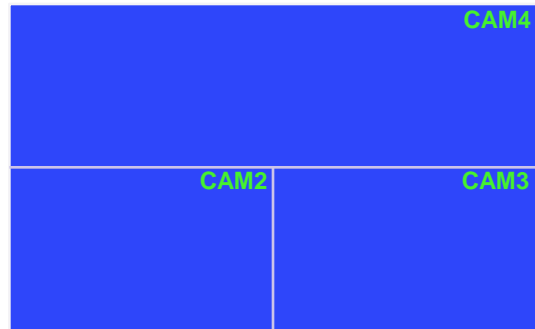


Display modes

2SPLIT



3SPLIT



4SPLIT(QUAD)

